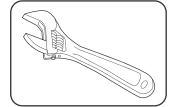
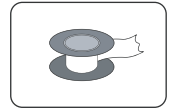


Tools You Will Need



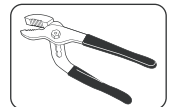
Adjustable Wrench



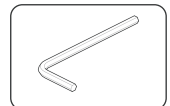
Pipe Tape



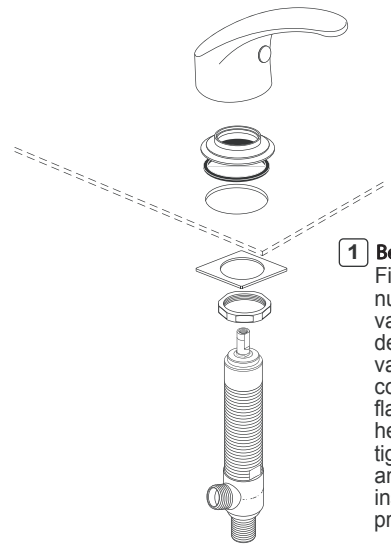
Silicone Caulking



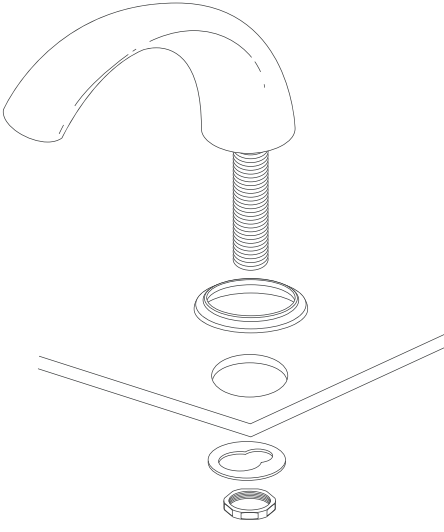
Groove joint plier



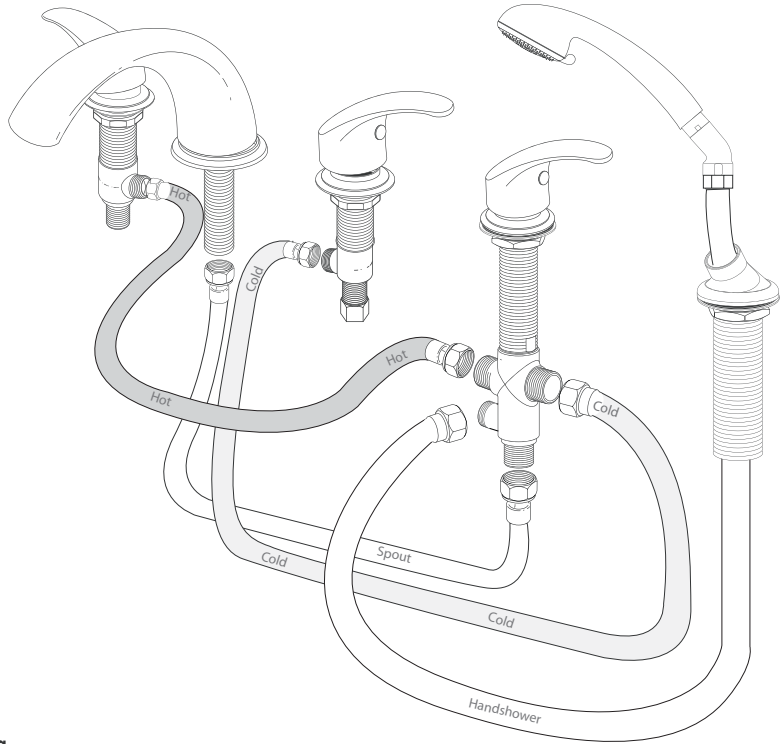
Allen Wrench



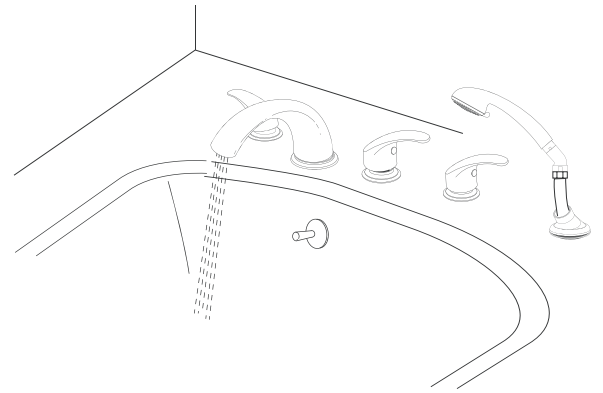
**1 Begin installing valve and transfer valve assemblies:**  
 First make sure that the bottom lock nut and washer are installed on to the valve. Next, from underneath the deck surface slide valve hot side valve assembly up through left hole in counter. Next screw the handle base flange onto the top of the valve. The height of the valve can be adjusted by tightening and loosening the bottom and top lock nuts. Once the valve is installed repeat the same installation process for the cold side valve.



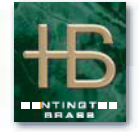
**2 Install spout.**  
 First install the spout shank through the center hole and secure from the bottom with the lock nut and washer. Once the spout shank is installed install the spout onto the quick connect nipple of the spout shank. Ensure the gasket under rim of spout is firmly seated in groove.



**3 Connecting supply lines:**  
 Finally, connect the braided supply lines to the side outlets of each valve body and then to the connections on the T-connector. Tighten all hose connections by hand tightening and then adding an additional half turn with a wrench. Check for leaks and adjust after installation is completed.



**4 Flush system:**  
 Turn main water supply on. Open other faucets around the house to minimize water hammer. Remove the aerator piece from the spout. Turn on both faucet handles and let run for two minutes to clear any debris. Replace aerator. Check for leaks while faucet is running. If you experience and difficulties during installation contact a plumber or call Huntington Brass technical assistance.



Thank you for using Huntington Brass products